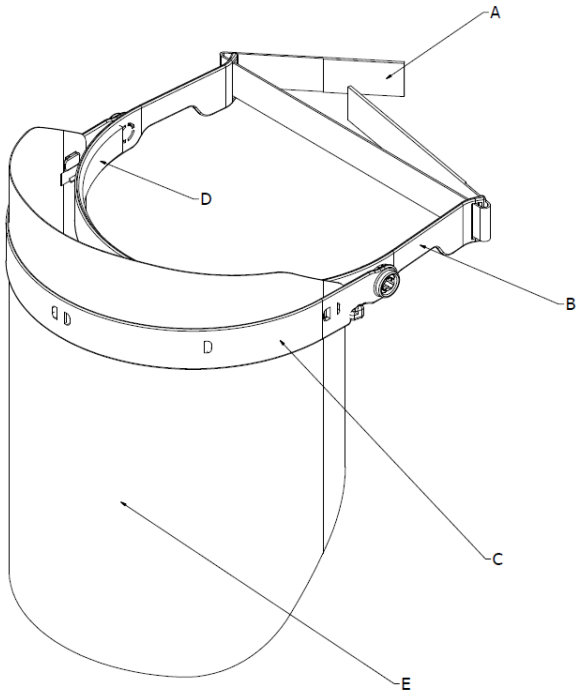


TECHNICAL DATASHEET



EN-166-3S

- Personal Protective Equipment
- Latex free
- Openable and 6 positions adjustable antifog shield
- Adjustable fit with velcro straps
- Cleanable through con alcohol and cloro-based disinfectants
- Usable with eyeglasees and masks
- Excellent optical quality (class I) and ergonomics

Reference	Part	Weight (kg)	Material	Color
A	Elastic band with velcro straps	0,01	Textile	black
B	Fix frame	0,02	Nylon	white
C	Mobile frame	0,02	Nylon	white
D	Skin contact protection	0,01	Antiallergic EPDM	black
E	Shield	0,01	PETG 0,5 mm	trasparent

